

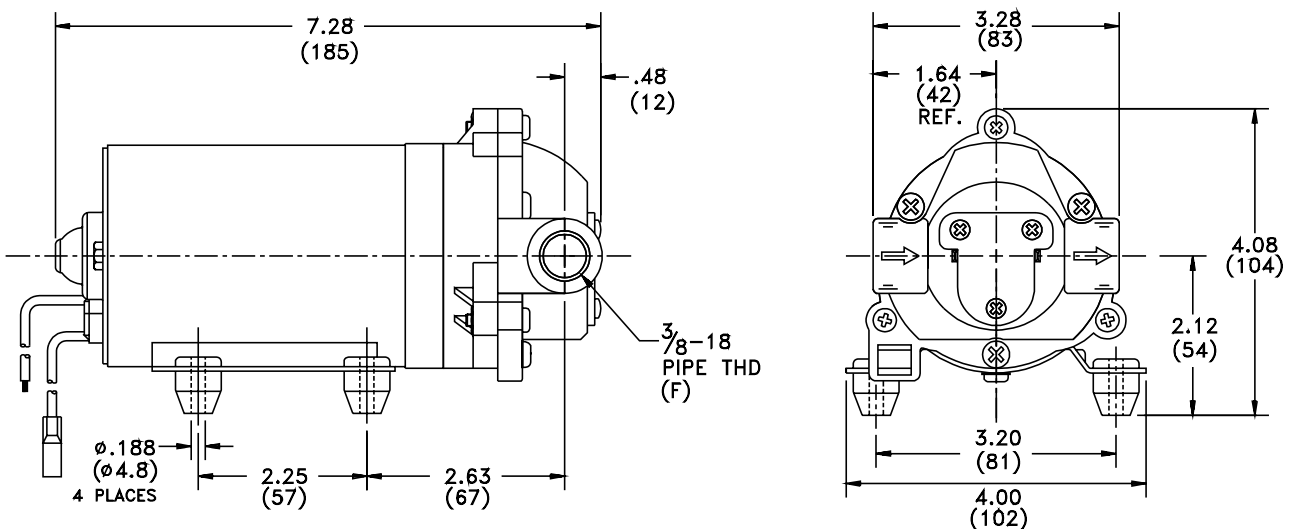
PRODUCT DATA SHEET

MODEL: 8000-544-250

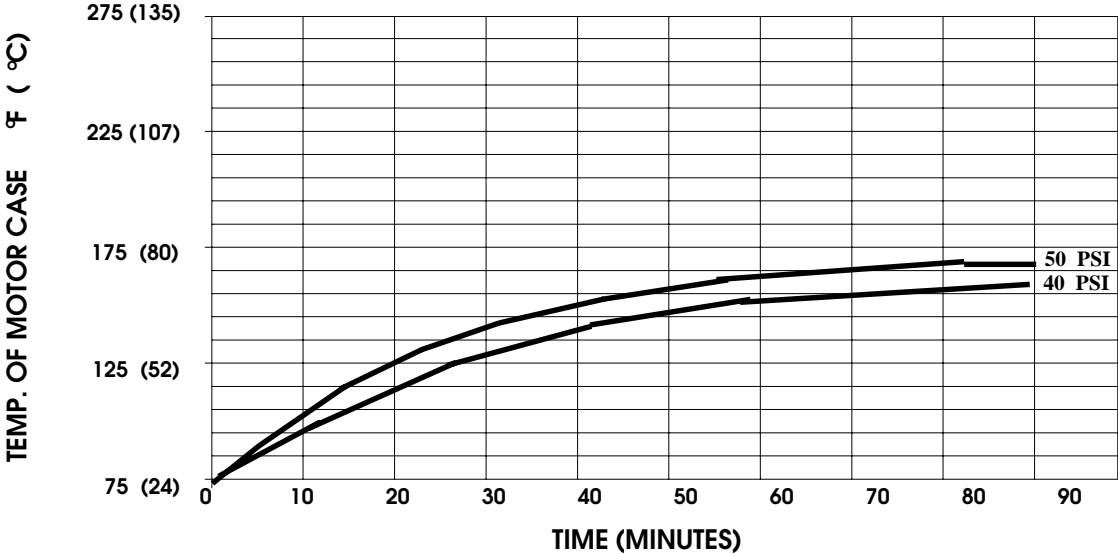
SPECIFICATIONS:

MODEL NUMBER: 8000-544-250
PUMP DESIGN: Positive Displacement 3 Chamber Diaphragm Pump
CHECK VALVE: (2-Way Op.) Prevents Reverse Flow 6 FT Head Forward Flow
CAM: 3.5 Degree
MOTOR: Permanent Magnet, P/N 11-111-00
VOLTAGE: 12 VDC Nominal
PRESSURE SWITCH: None
LIQUID TEMPERATURE: 170 Degrees Fahrenheit (77 Degrees Centigrade) Max.
PRIME: Self-Priming Up To 11 Ft. Vertical,
Max. Inlet Pressure 30 PSI (2.1 Bar)
PORTS: 3/8"-18 NPT Female
MATERIAL OF CONSTRUCTION:
PLASTICS- Polypropylene
VALVES- Viton
DIAPHRAGM- Santoprene (STD)
FASTENERS- Cad or Zinc Plated Steel
NET WEIGHT: 4.0 Lbs (1.8 Kg)
DUTY CYCLE: Continuous (See Temperature Rise Chart)
TYPICAL APPLICATIONS: Agricultural Spraying
BYPASS: 45 PSI

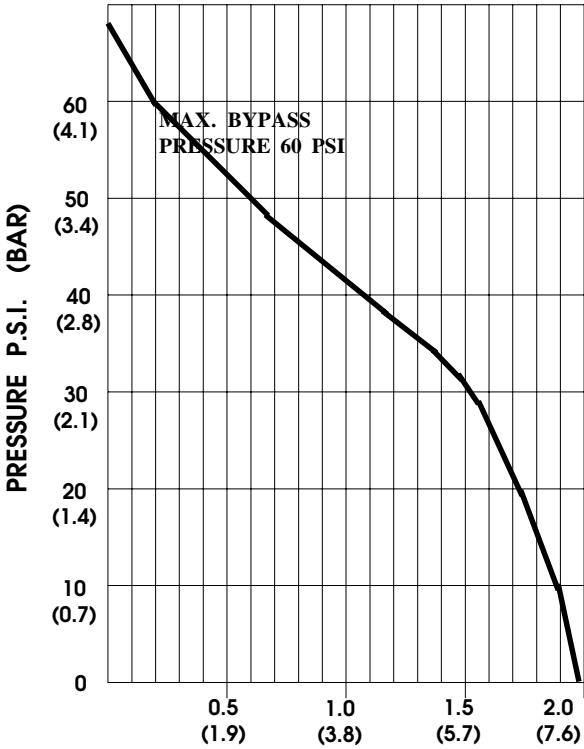
DIMENSIONS:



TEMPERATURE RISE



TYPICAL PERFORMANCE



| PRESSURE (PSI) | FLOW (GPM/LIT) | RPM MIN/MAX | CURRENT (AMPS) | VOLTAGE (VOLTS) |
|----------------|----------------|-------------|----------------|-----------------|
| OPEN | 2.1/7.9 | 2290/2345 | 5.0 | 12 VDC |
| 10 | 1.95/7.4 | 2275/2335 | 5.5 | " |
| 20 | 1.75/6.2 | 2230/2300 | 6.3 | " |
| 30 | 1.45/5.4 | 2190/2255 | 7.0 | " |
| 40 | .75/2.8 | 2165/2230 | 7.5 | " |
| 50 | 0.16/0.6 | 2140/2200 | 7.9 | " |

FLOW - GALLONS PER MINUTE (LITERS PER MINUTE)

*-SPECIFICATIONS SUBJECT TO CHANGE WITHOUT NOTICE.
 -ALL DATA BASED ON TESTING WITH WATER AT AMBIENT TEMPERATURE.*