

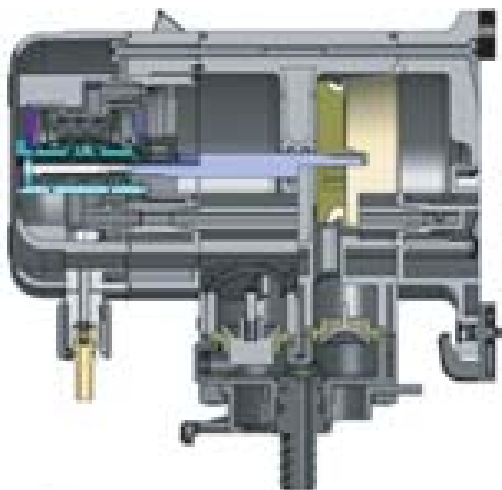
Model 477 AODD PUMP

The SHURflo Model 477 Air Operated Double Diaphragm Pump was developed for chemical transfer, injection and spraying applications. This AODD pump features a patent pending directional control spool design that eliminates the stalling problems associated with over center directional control designs. With an open flow capacity of up to 10gpm (38 litres/min), the SHURflo Model 477 pump will easily handle your current lower 5gpm (19 litres/min) open flow applications, and will also apply to many applications currently using a 14gpm (53 litres/min) open flow pump. Easy mounting, industry standard fittings and mounting footprint make the installation of the SHURflo Model 477 pump very simple. A ¼" barb air connector and both ½" and ¾" barb liquid connectors are included. Contact SHURflo to find out more about the 477 Series AODD Pump, and our full line of innovative fluid handling products.



Features

- ▶ Available in Santoprene™ or Viton
- ▶ ½" and ¾" barb Liquid Port Fittings
- ▶ Can run dry without damage
- ▶ 40-100psi Air Pressure Operating Range
- ▶ 10 gpm open flow @ 100psi Air Pressure (¾" port fittings)
- ▶ Ability to handle low to high viscosity liquids
- ▶ Industry Standard Mounting and Ports



Applications

- ▶ Carwash Chemicals
- ▶ Printing Inks
- ▶ Tile Glazing Slurry
- ▶ Fluid Transfer
 - Acids
 - Caustics
 - Abrasives
 - Adhesives
 - Sealants
 - Lube/Oils
 - Solvents



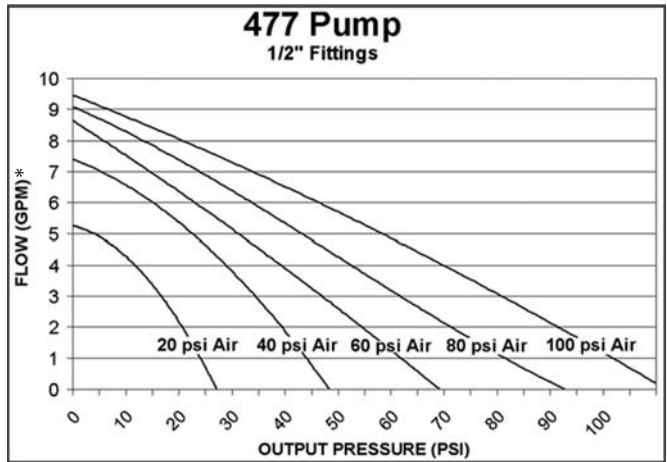
SHURflo[®]
Pentair Water

Model 477 AODD PUMP

Technical Data

Width	4.10"
Depth	7.37"
Height	6.28"
Piston Diameter	2.65"
Piston Stroke	1.47"
oz/Stroke	3.82oz
oz/Cycle	7.64oz
Gals/1,000 Cycles	59.7 Gals
Cycles/100,000 Gals	1.67 Million
Valve Areas	0.24 in ²

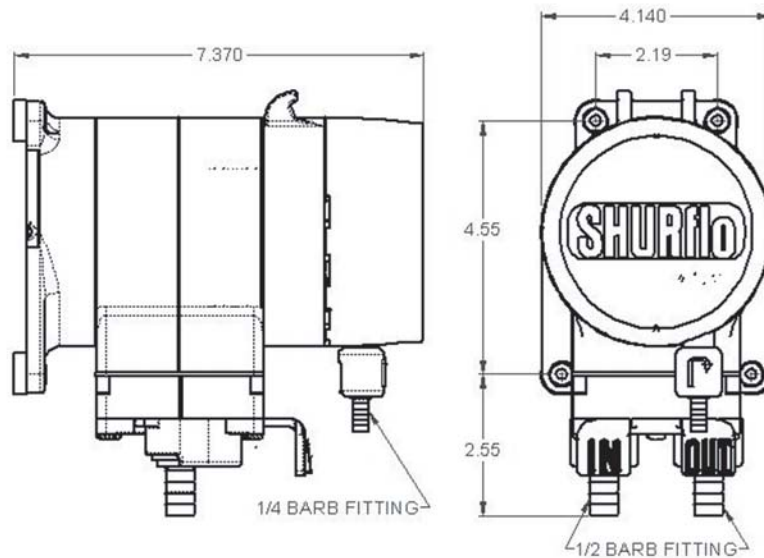
Performance



*US Gallons

Product Strengths

- ▶ **Eliminate Stalling** Advanced Dual Spool Valve switching mechanism – no over centre mechanicals
- ▶ **Prevent Freezing** Baffled Exhaust – No moisture build up – No Muffler required
- ▶ **Improved Performance** Higher flow/Higher pressure by design
- ▶ **Increased Pump Life** Higher displacement per stroke



SHURflo
Pentair Water

T