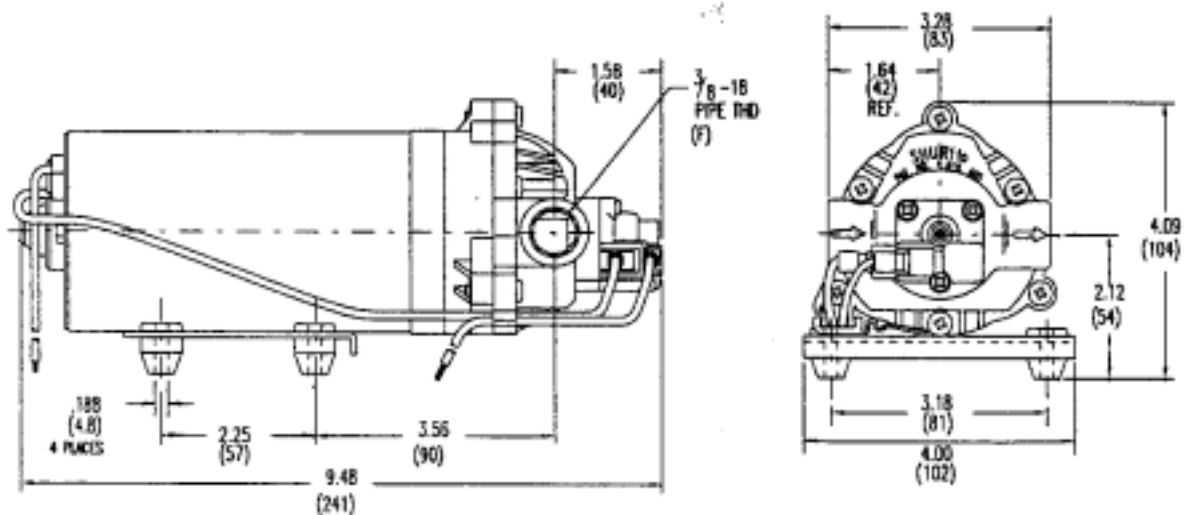


SHURflo®**SERIES 8000**
Product Data Sheet

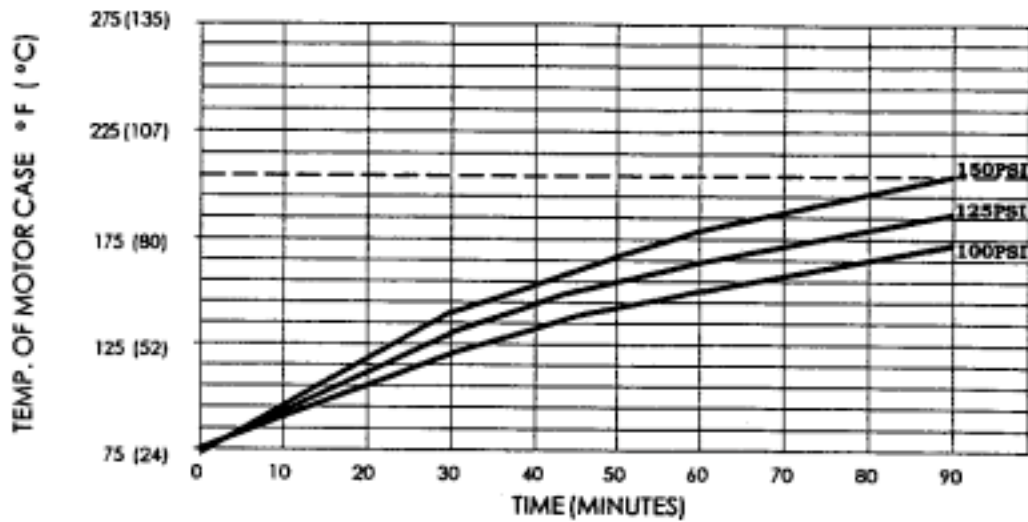
MODEL: 8030-813-239

SPECIFICATIONS:**MODEL NUMBER:** 8030-813-239**PUMP DESIGN:** Positive Displacement 3 Chamber Diaphragm Pump**CHECK VALVE:** (2-Way Op.) Prevents Reverse Flow & 6 Ft. Head Forward Flow**CAM:** 3.0 Degree**MOTOR:** Permanent Magnet, P/N 11-227-00, Thermally Protected**VOLTAGE:** 12 VDC Nominal**PRESSURE SWITCH:** Adjustable Shut-Off (Range 140-160 PSI)

Factory Set @ 150 PSI, Turn On 115 PSI

LIQUID TEMPERATURE: 180 Degrees Fahrenheit (82 Degrees Centigrade) Max.**PRIME:** Self-Priming Up To 6 Ft. Vertical,
Max. Inlet Pressure 30 PSI (2.1 Bar)**PORTS:** 3/8"-18 NPT Female**MATERIAL OF CONSTRUCTION:****PLASTICS-** Nylon**VALVES-** Viton**DIAPHRAGM-** Santoprene**FASTENERS-** Zinc Plated Steel**NET WEIGHT:** 5.9 Lbs (2.7 Kg)**DUTY CYCLE:** Intermittent (See Temperature Rise Chart)**TYPICAL APPLICATIONS:** Agricultural Spraying**DIMENSIONS:**

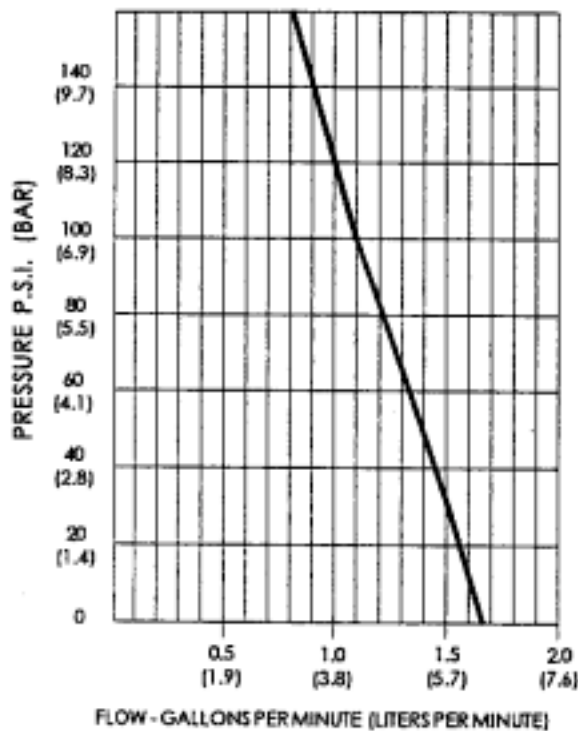
TEMPERATURE RISE



THIS GRAPH IS FOR USE AS A DESIGN GUIDE. IT IS BASED ON RUNNING CONTINUOUSLY WITH AN AMBIENT TEMPERATURE OF 75 °F IN STILL AIR. THE THERMAL BREAKER WILL OPEN WHEN THE CASE TEMPERATURE REACHES 205 °F.

[----- TRIP POINT OF THERMAL PROTECTOR]

TYPICAL PERFORMANCE



PRESSURE (PSI)	FLOW (GPM/LIT)	RPM MIN/MAX	CURRENT (AMPS)	VOLTAGE (VOLTS)
OPEN	1.66/6.3	2265/2310	4.5	12 VDC
10	1.62/6.1	2245/2275	4.9	-
20	1.55/5.9	2215/2230	5.5	-
30	1.49/5.6	2180/2200	6.2	-
40	1.43/5.4	2145/2160	6.8	-
50	1.37/5.2	2115/2130	7.4	-
60	1.31/5.0	2080/2095	8.0	-
80	1.20/4.5	2010/2040	9.1	-
100	1.10/4.2	1955/1980	10.1	-
120	1.00/3.8	1895/1930	10.9	-
140	0.88/3.3	1840/1875	11.7	-
150	0.83/3.1	1815/1865	12.0	-

-SPECIFICATIONS SUBJECT TO CHANGE WITHOUT NOTICE.

-ALL DATA BASED ON TESTING WITH WATER AT AMBIENT TEMPERATURE.