

## SPECIFICATIONS:

**MODEL NUMBER:** 8000-343-236

**PUMP DESIGN:** Positive Displacement 3 Chamber Diaphragm Pump

**CHECK VALVE:** (2-Way Op.) Prevents Reverse Flow & 6 Ft. Head Forward Flow

**CAM:** 2.5 Degree

**MOTOR:** Permanent Magnet, P/N 11-111-00

**VOLTAGE:** 12 VDC Nominal

**PRESSURE SWITCH:** Adjustable Shut-Off (Range 40-60 PSI)

Factory Set @ 60 PSI, Turn On 45 PSI  $\pm$  5 PSI

**LIQUID TEMPERATURE:** 170 Degrees Fahrenheit (77 Degrees Centigrade) Max.

**PRIME:** Self-Priming Up To 11 Ft. Vertical,  
Max. Inlet Pressure 30 PSI (2.1 Bar)

**PORTS:** 3/8"-18 NPT Female

**MATERIAL OF CONSTRUCTION:**

**PLASTICS-** Polypropylene

**VALVES-** Viton

**DIAPHRAGM-** Viton

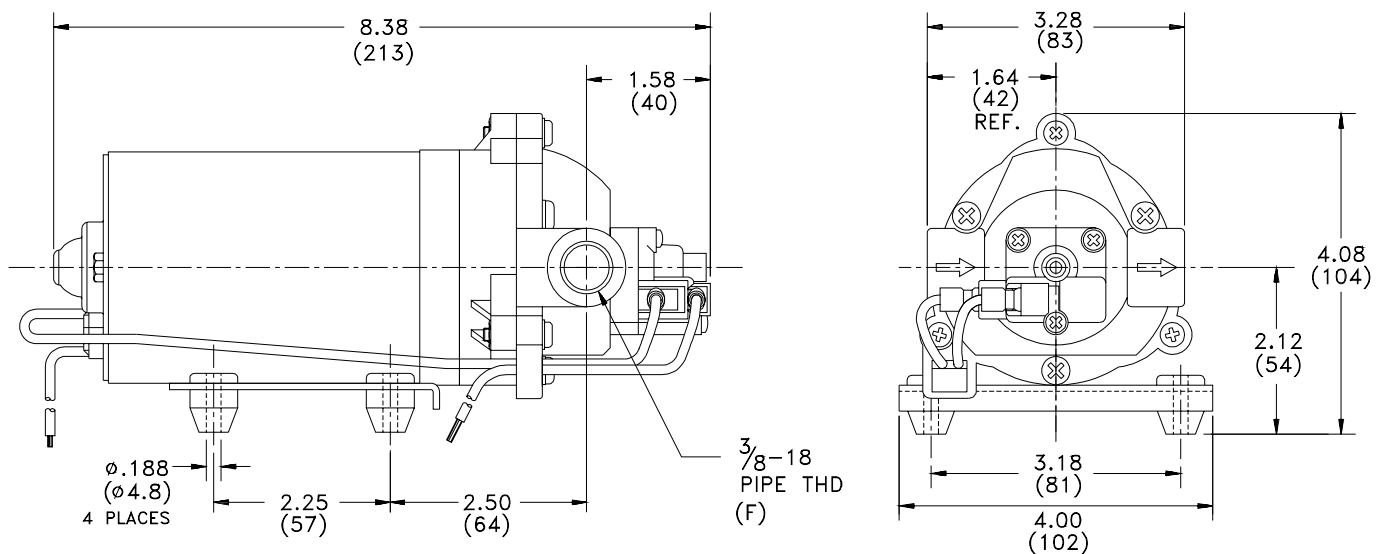
**FASTENERS-** Zinc Plated Steel

**NET WEIGHT:** 4.1 Lbs (1.9 Kg)

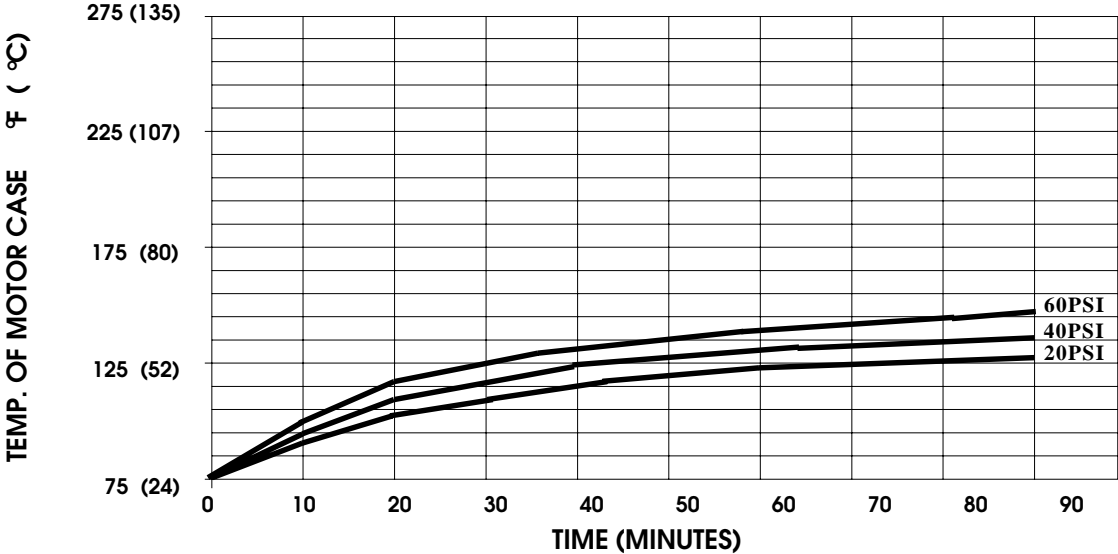
**DUTY CYCLE:** Continuous (See Temperature Rise Chart)

**TYPICAL APPLICATIONS:** Agricultural Spraying

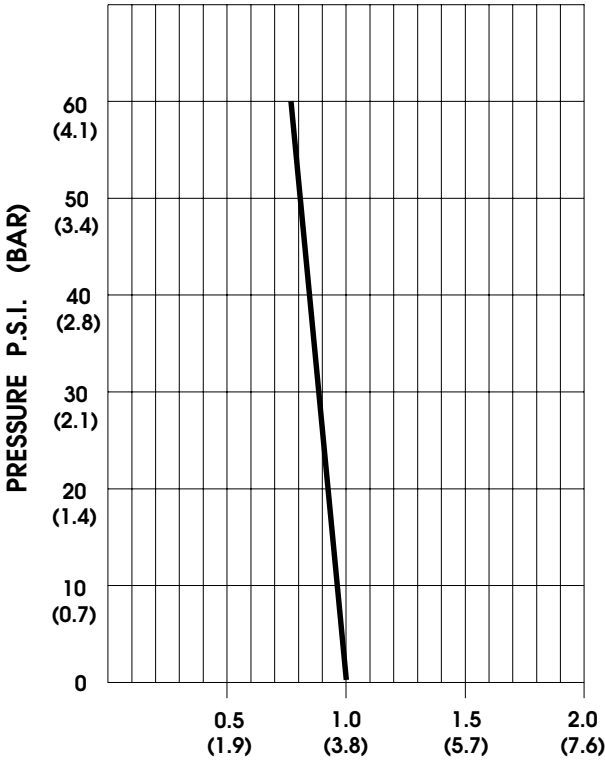
## DIMENSIONS:



**TEMPERATURE RISE**



**TYPICAL PERFORMANCE**



PRESSURE (PSI)	FLOW (GPM/LIT)	RPM MIN/MAX	CURRENT (AMPS)	VOLTAGE (VOLTS)
OPEN	1.01/3.8	2400/2470	2.8	12 VDC
10	0.96/3.6	2380/2410	3.3	"
20	0.93/3.5	2300/2370	3.9	"
30	0.89/3.4	2250/2330	4.4	"
40	0.84/3.2	2200/2290	4.9	"
50	0.80/3.0	2165/2260	5.3	"
60	0.76/2.9	2125/2230	5.8	"

FLOW - GALLONS PER MINUTE (LITERS PER MINUTE)

*-SPECIFICATIONS SUBJECT TO CHANGE WITHOUT NOTICE.  
-ALL DATA BASED ON TESTING WITH WATER AT AMBIENT TEMPERATURE.*