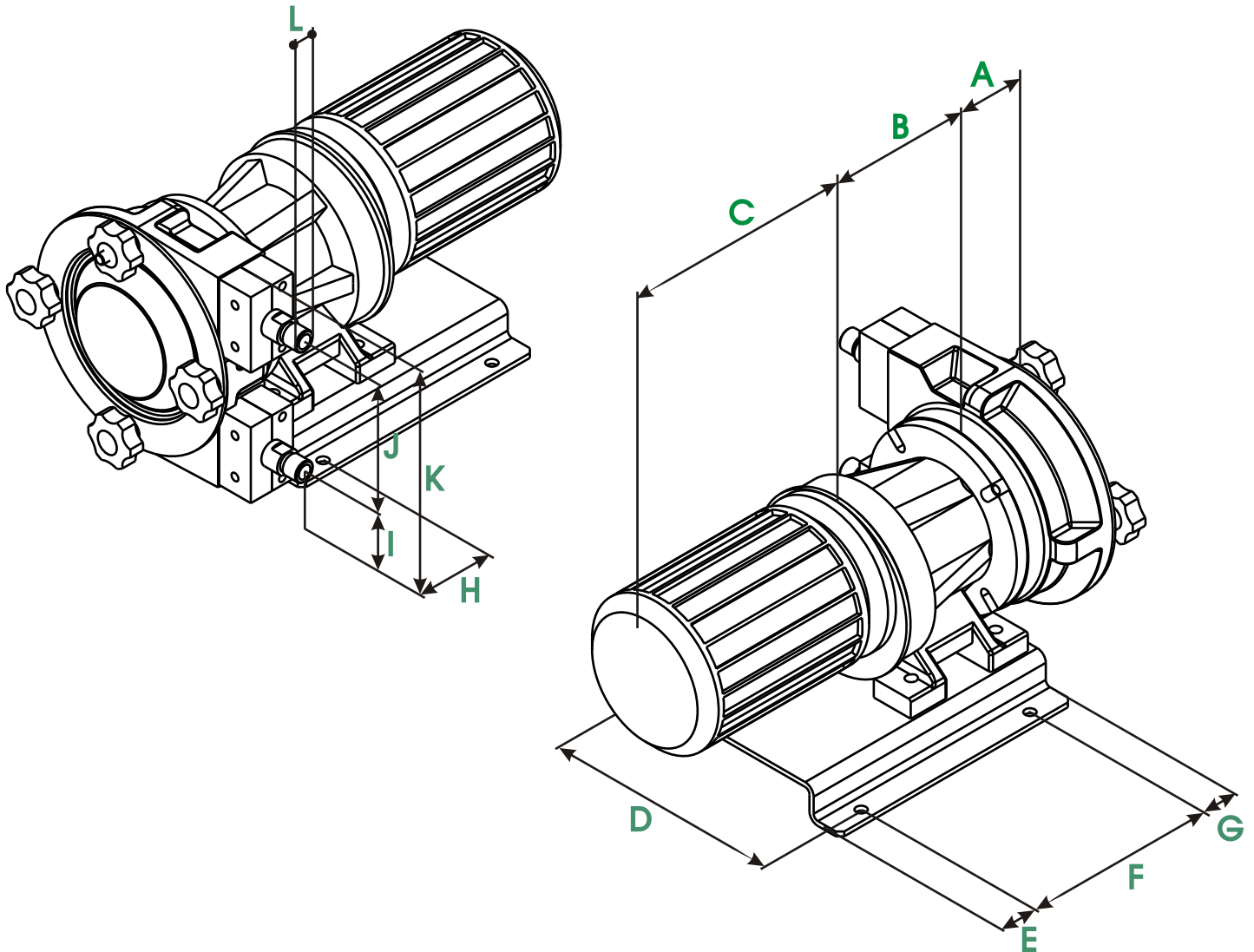




Industrial Peristaltic pumps

AMP-10B Dimensions



| A | B | C | D | E | F | G | H | I | J | K | L |
|----|---|---|-----|----|-----|----|----|----|-----|-----|----------|
| 70 | * | * | 190 | 30 | 160 | 30 | 61 | 60 | 115 | 210 | 3/8" BSP |

* To confirm according type and power driver.