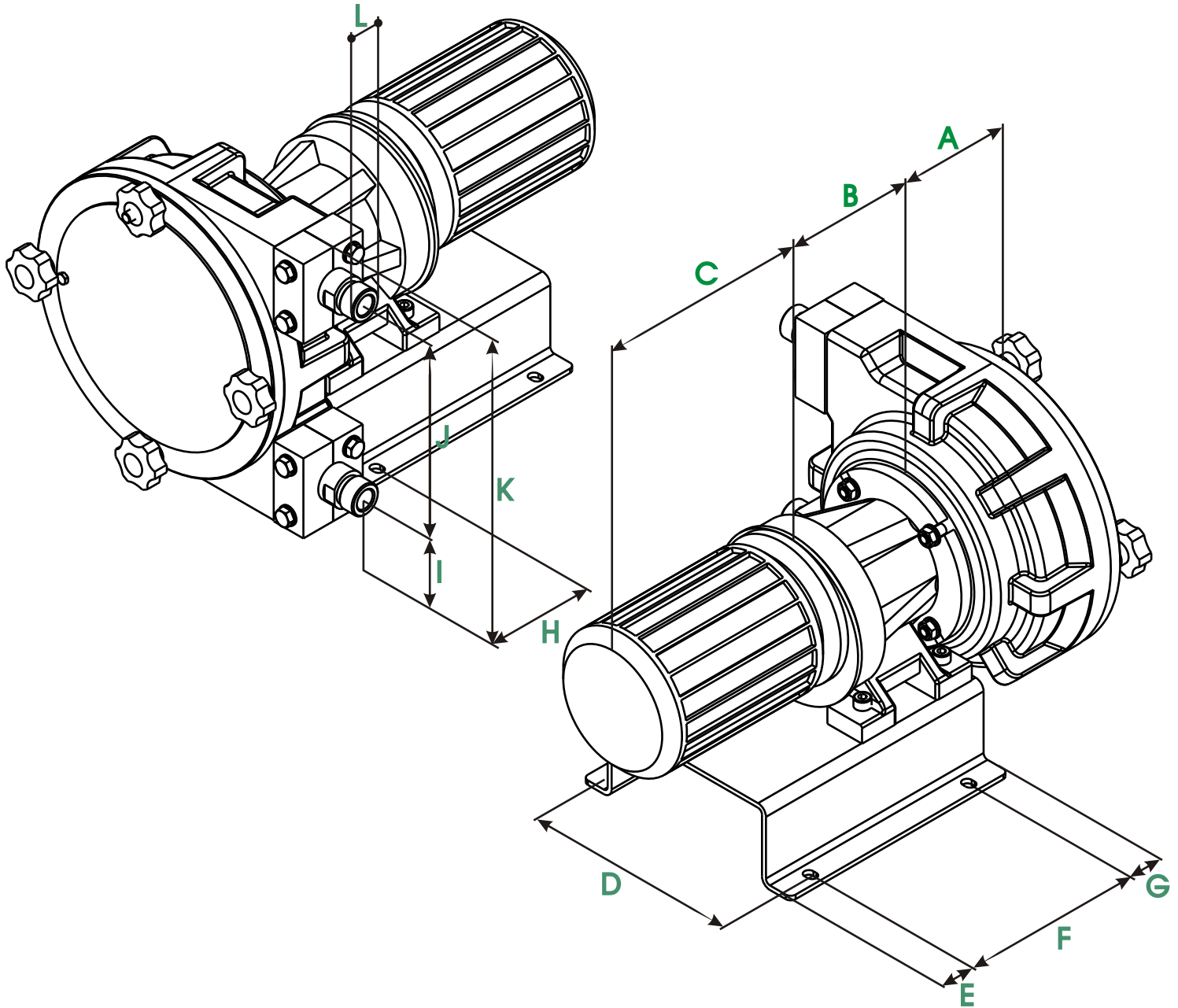




# Industrial peristaltic Pumps

## AMP-16C Dimensions



A	B	C	D	E	F	G	H	I	J	K	L
120	*	*	190	30	160	30	78	60	170	265	3/4" BSP

\* To confirm according type and power driver.